

## TECHNICAL DATA E-PRO DROP-IN UNITS

### Drop-in neutral and refrigerated water dispenser



The E-Pro drop-in unit range offers all the equipment needed for a complete and effective self-service line. The capacity, materials and technical features of the water dispensers are designed to meet the requirements of professional kitchens.



#### GENERAL

- E-Pro drop-in water dispensers are designed for dispensing drinking water on a self-service line
- E-Pro drop-in water dispensers are equipped with a mechanical or optical tap
- Equipped with a water bowl and crate
- The water dispenser can be installed without the refrigeration unit, in which case it is connected directly to the water supply network

#### PERFORMANCE

(models with refrigeration unit)

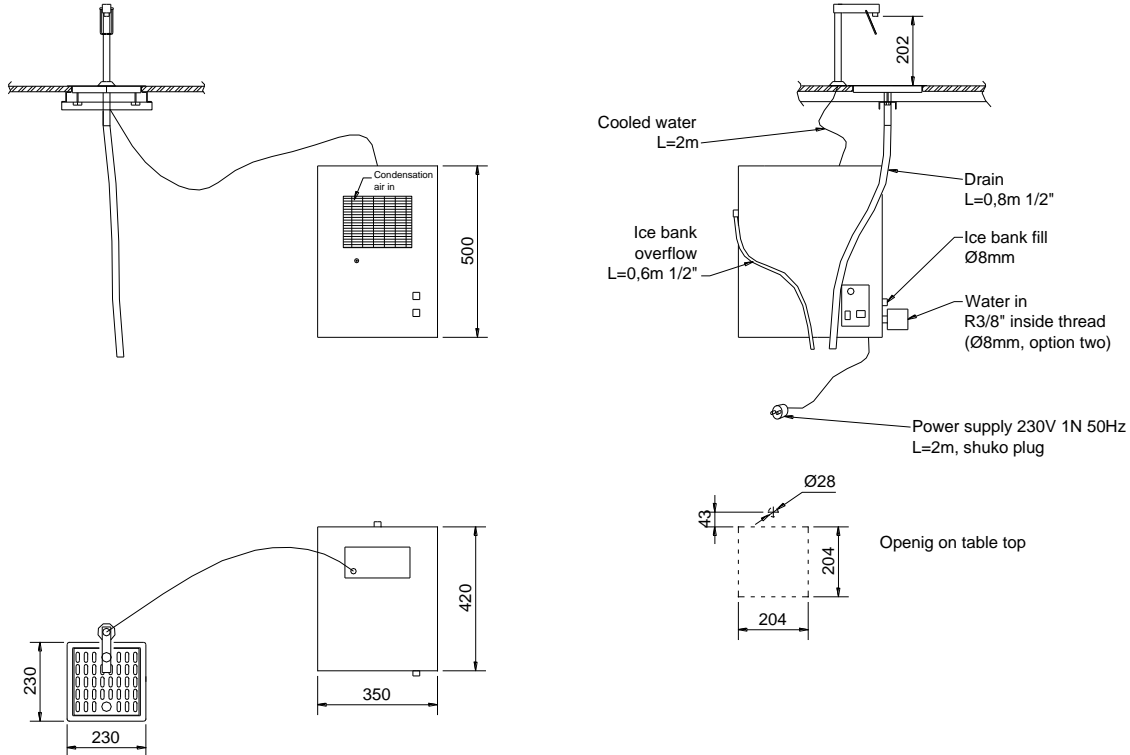
- Maximum water yield 65 litres, and continuous 40 litres per hour
- Cooled water temperature between +3 and +10°C
- 4,5kg ice bank ensures the availability of cooled drinking water in continuous use

#### TECHNICAL FEATURES

- Water inlet equipped with a pressure reducer
- Optical models are equipped with an adjustable portion control
- CFC and HCFC free
- Refrigerant R134
- Equipped with 2,0m long power cord
- All E-Pro drop-in units are CE marked



# Drop-in refrigerated water dispenser with a mechanical tap



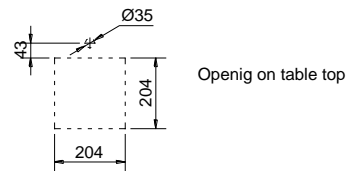
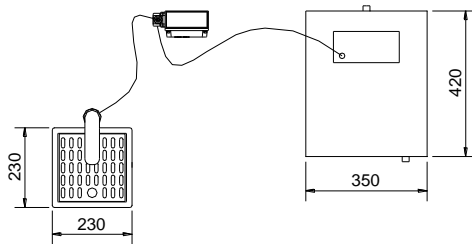
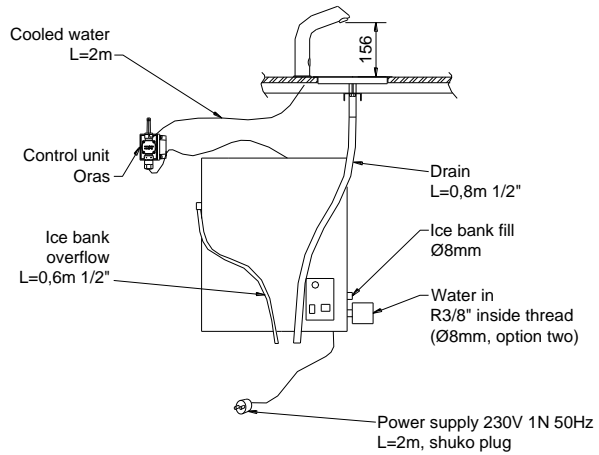
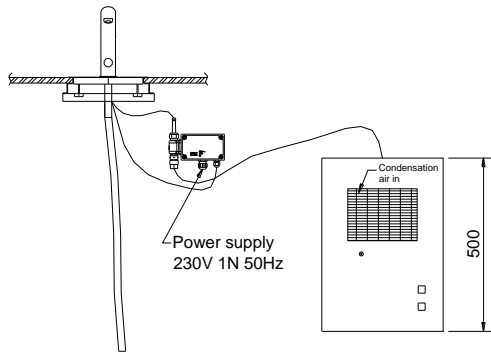
**MODEL**  
D-I 0200

TECHNICAL DATA		
Model	D-I 0200	D-I 0210
Number of taps pcs	1	2
Water yield l/h	65	65
Water yield in continuous use l/h	40	40
Ice bank 4.5kg	included	included
Temperature range °C	+3...+10	+3...+10
Type refrigerant, g	R134, 160	R134, 160
Electrical connection V, Hz	230 1N, 50/60	230 1N, 50/60
Connected load W	300	300
Net weight kg	31	33
Unit volume m <sup>3</sup>	0,2	0,2
Unit dimensions mm		
height	700	700
depth	500	500
width	500	500

Due to continuous product development we reserve the right to technical changes without notice.



# Drop-in refrigerated water dispenser with an optical tap



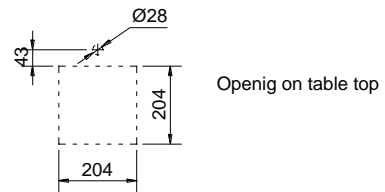
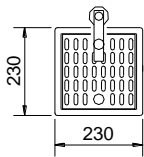
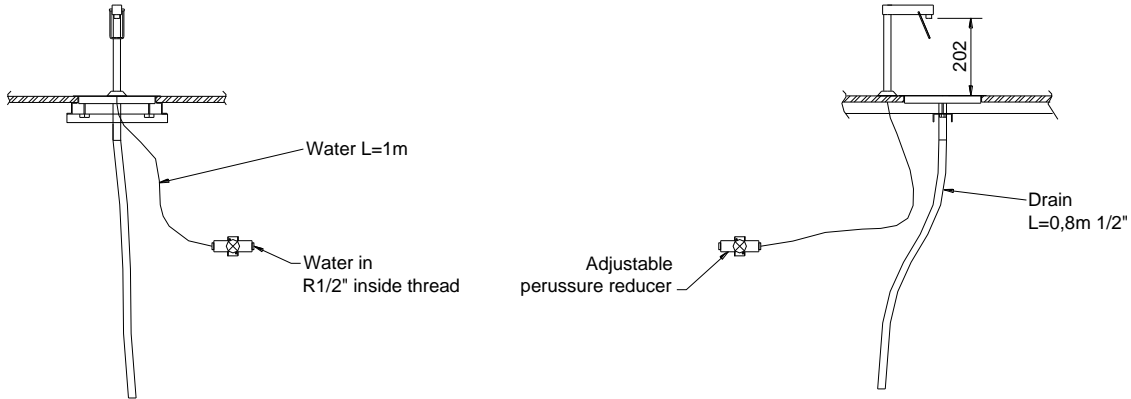
**MODEL**  
D-I 0220

TECHNICAL DATA		
Model	D-I 0220	D-I 0230
Tap – Oras Electra 6209 pcs	1	2
Water yield l/h	65	65
Water yield in continuous use l/h	40	40
Ice bank 4.5kg	included	included
Temperature range °C	+3...+10	+3...+10
Type refrigerant, g	R134, 160	R134, 160
Electrical connection V, Hz	230 1N, 50/60	230 1N, 50/60
Connected load W	300	300
Net weight kg	31	33
Unit volume m <sup>3</sup>	0,2	0,2
Unit dimensions mm		
height	700	700
depth	500	500
width	500	500

Due to continuous product development we reserve the right to technical changes without notice.



# Drop-in neutral water dispenser with a mechanical tap



Openig on table top

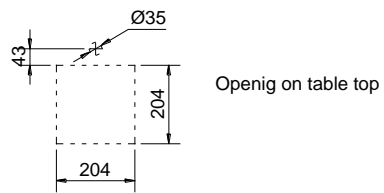
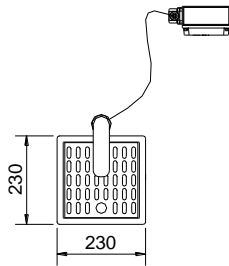
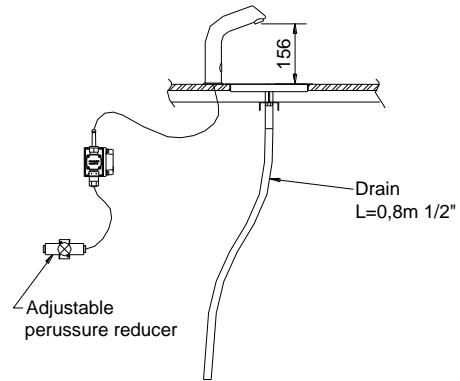
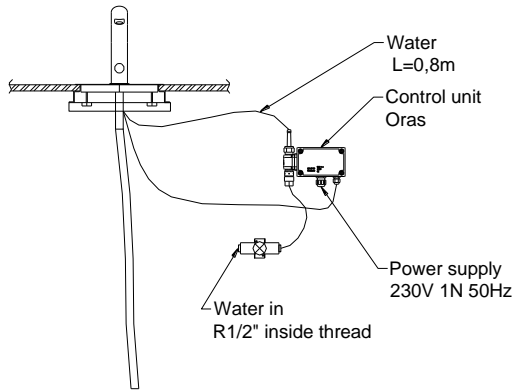
**MODEL**  
D-I 0260

TECHNICAL DATA		
Model	D-I 0260	D-I 0270
Number of taps pcs	1	2
Net weight kg	2	4
Unit volume m <sup>3</sup>	0,1	0,1
Unit dimensions mm		
height	300	300
depth	500	500
width	500	500

Due to continuous product development we reserve the right to technical changes without notice.



# Drop-in neutral water dispenser with an optical tap



**MODEL**  
D-I 0240

TECHNICAL DATA		
Model	D-I 0240	D-I 0250
Tap – Oras Electra 6209 pcs	1	2
Electrical connection V, Hz	230 1N, 50	230 1N, 50
Connected load W	8	16
Net weight kg	3	5
Unit volume m <sup>3</sup>	0,1	0,1
Unit dimensions mm		
height	300	300
depth	500	500
width	500	500

Due to continuous product development we reserve the right to technical changes without notice.

