

TECHNICAL DATA E-PRO DROP-IN UNITS

Drop-in basket dispenser

The E-Pro drop-in unit range offers all the equipment needed for a complete and effective self-service line. The top quality units, sized to take GN containers, are compact in size and come equipped with a separate digital control panel.



GENERAL

- E-Pro's basket dispensers are designed for the display of standard-sized glassware baskets as part of a self-service line
- Material stainless steel with a seamless finish on visible surfaces
- The removable top is easy to clean

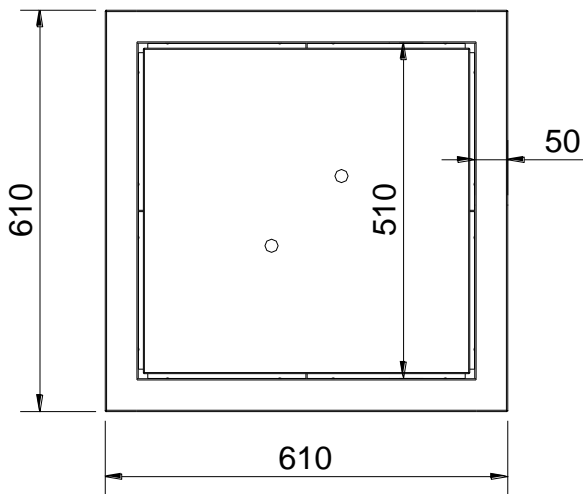
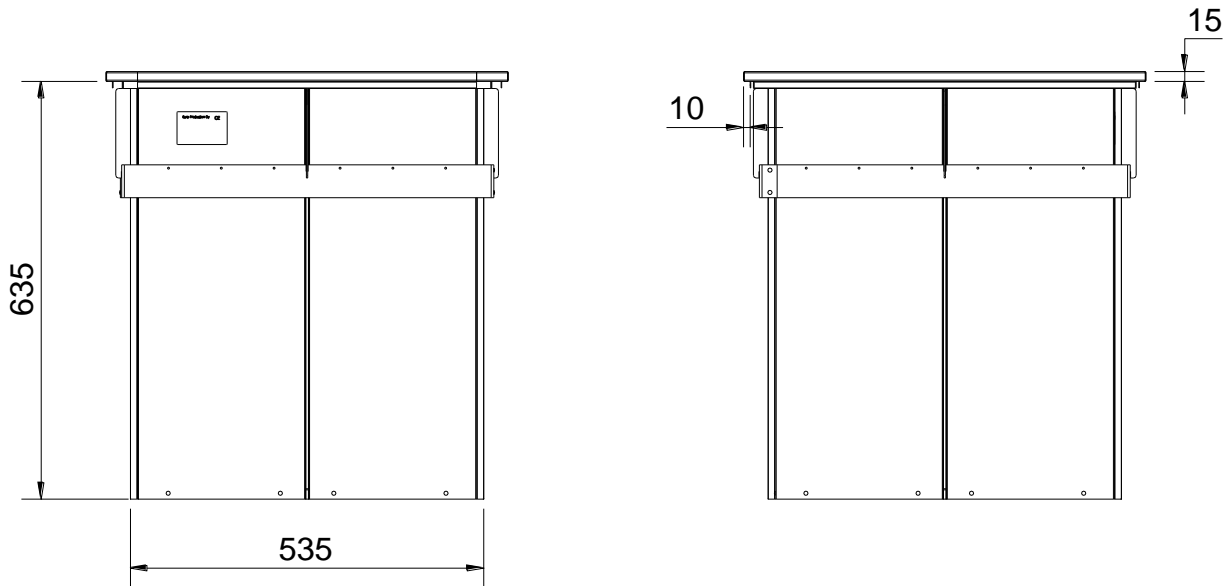
PERFORMANCE

- The dispensers have lifting springs that can be adjusted according to the weight of the baskets or trays
- Hygienic thanks to the enclosed casing

TECHNICAL FEATURES

- The basket dispenser is sized to hold 500 x 500mm baskets for glassware
- All E-Pro drop-in units are CE marked

Drop-in basket dispenser



For baskets 500 x 500 mm

MODEL	CUT-OUT ON TABLE TOP mm
D-I BD N	595 x 595

TECHNICAL DATA	
Model	D-I BD N
External dimensions w x d x h mm	610x610x650
Net weight kg	19
Unit volume m ³	0,4
Unit dimensions mm	
height	800
depth	700
width	700

Due to continuous product development we reserve the right to technical changes without notice.

