

## TECHNICAL DATA E-PRO ADJUSTABLE SNEEZE GUARD

### Adjustable sneeze guard

The E-Pro product range includes a sneeze guard that presents a ground-breaking solution for self-service lines. It offers three different utilisation possibilities within one product. The adjustable sneeze guard can be used as a vertical glass plate, sneeze guard or over shelf to complete a self-service line. There are also versatile accessories available for the product.



#### GENERAL

- The product can be used for three different purposes: as a sneeze guard, vertical glass plate or top shelf for non-heavy objects, such as prepared dishes that are displayed and served
- The height and angle of the glass plate easily adjustable without tools
- E-Pro's sneeze guard is a protected model

#### PERFORMANCE

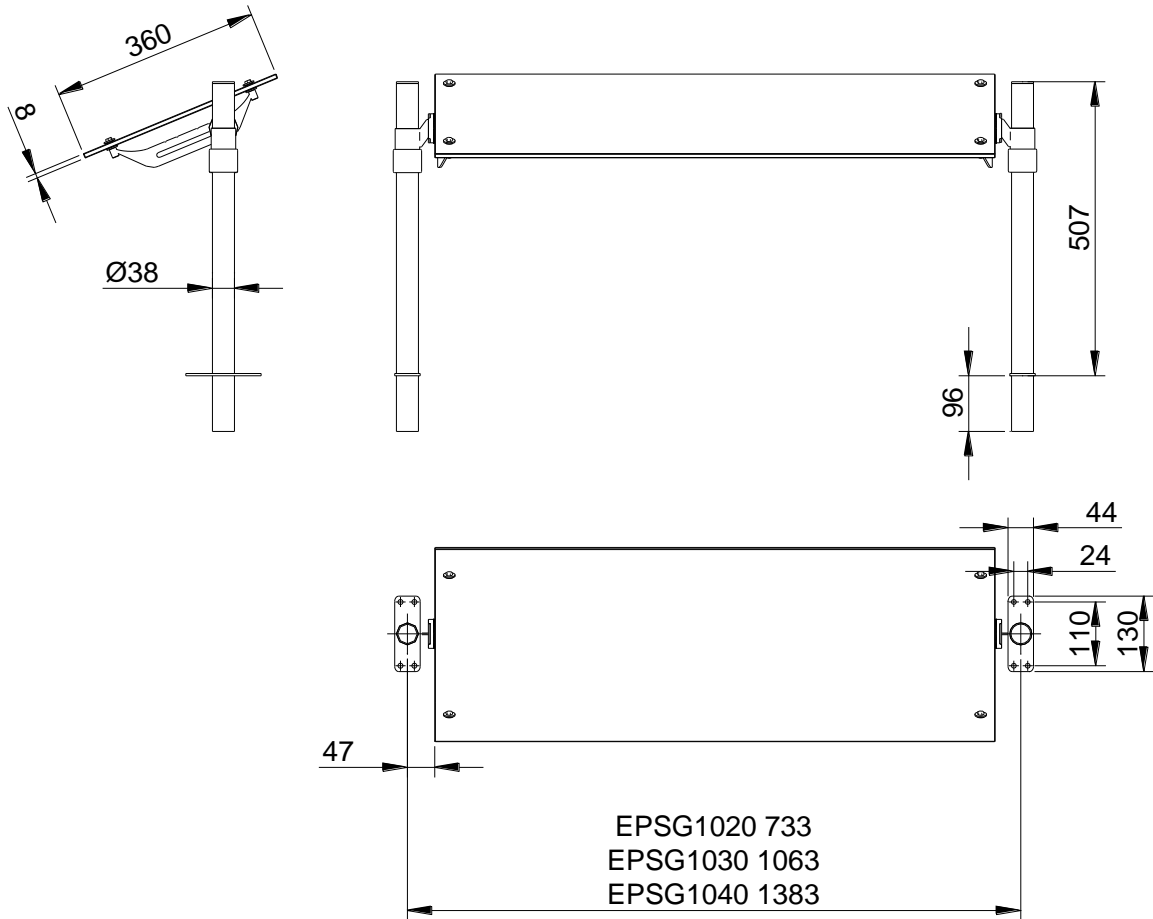
- Can be installed into all types of worktops and most drop-in units
- The versatile accessories include for example an extra stainless steel shelf and various LED or heat lamps
- By combining the extensions, the product can be adjusted to fit any shape of self-service line

#### TECHNICAL FEATURES

- Material tempered safety glass with rounded edges
- Metal elements made of stainless steel and anodised aluminium for easy maintenance
- The product package includes an install guide with pictures and mounting accessories
- All E-Pro units are CE marked



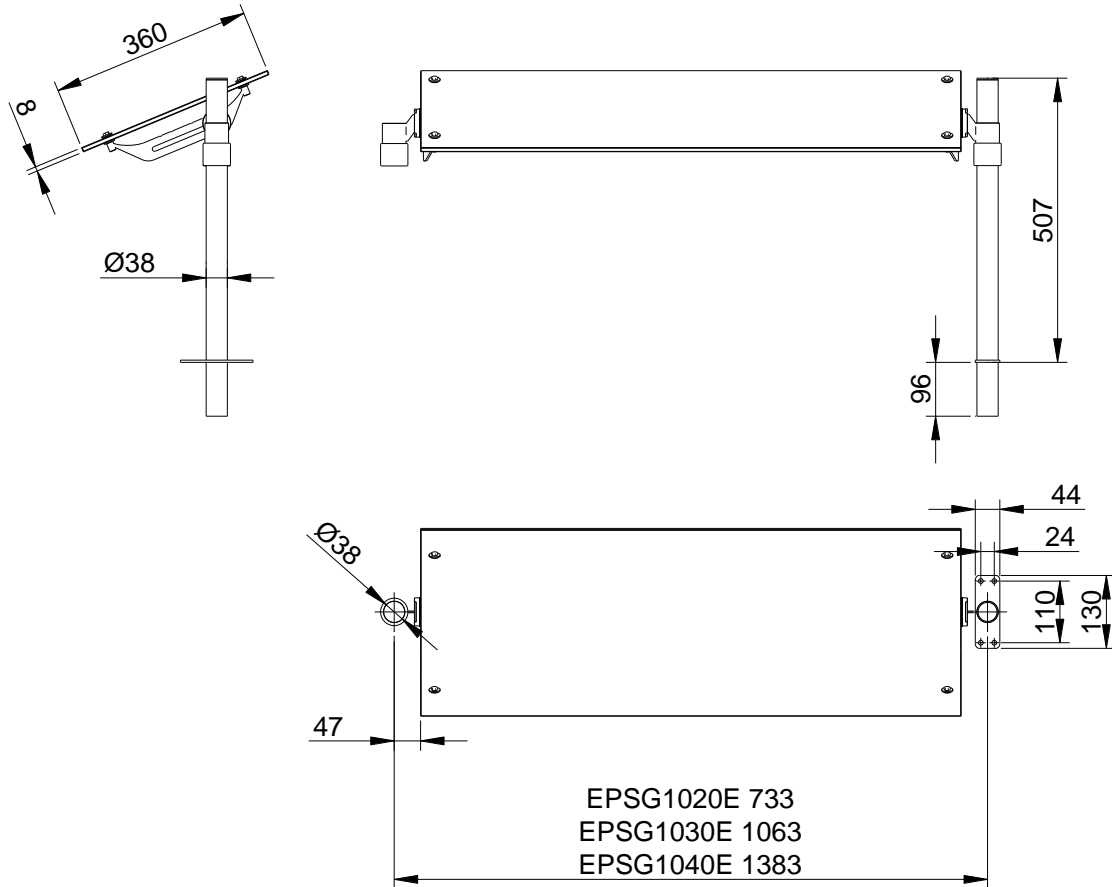
# Adjustable sneeze guard, basic unit



TECHNICAL DATA			
Model	EP SG1020	EP SG1030	EP SG1040
Distance of stand pipes centre – centre mm	733	1063	1383
Net weight kg	9	11	13
Unit volume m <sup>3</sup>	0,1	0,15	0,2
Unit dimensions mm			
height	250	250	250
depth	500	500	500
width	800	1200	1500

Due to continuous product development we reserve the right to technical changes without notice.

# Adjustable sneeze guard, extension unit

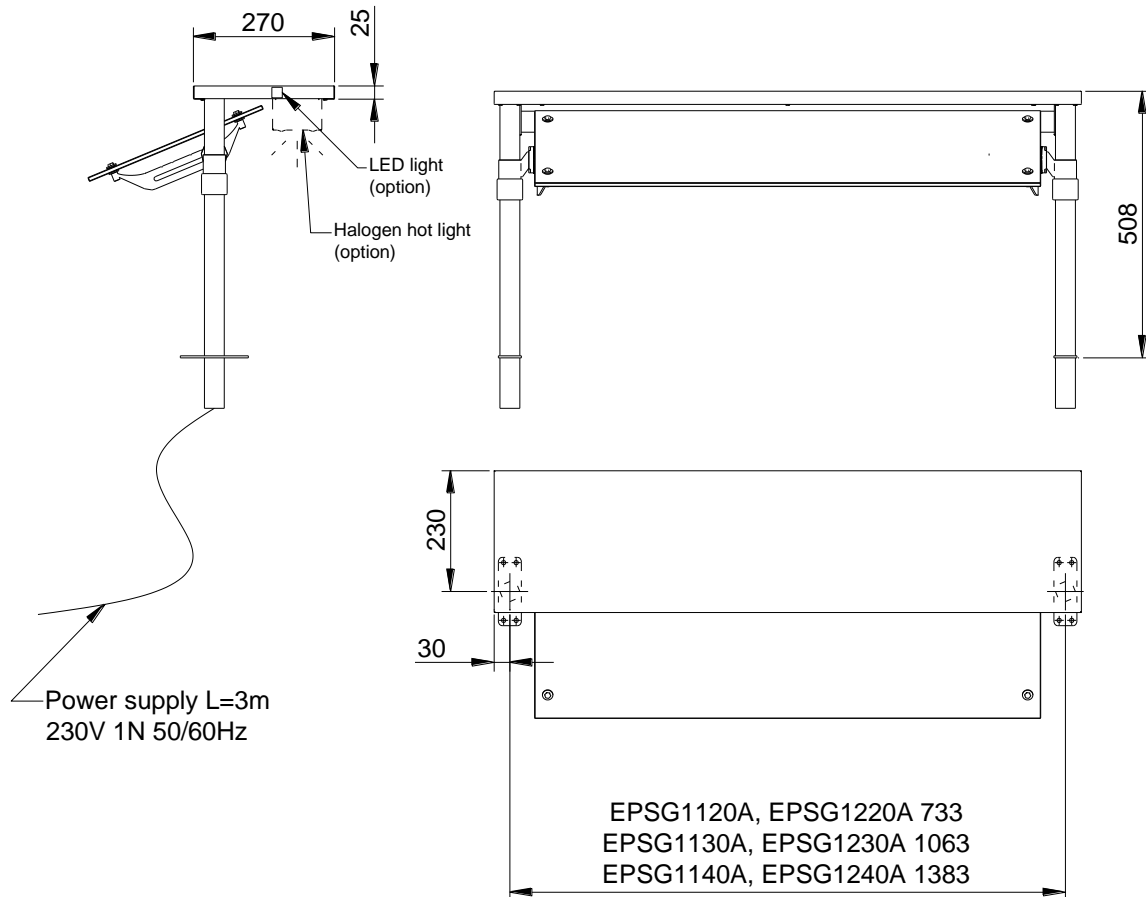


TECHNICAL DATA			
TECHNICAL DATA	EPSP1020E	EPSP1030E	EPSP1040E
Distance of stand pipes centre – centre mm	733	1063	1383
Net weight kg	8	10	12
Unit volume m <sup>3</sup>	0,1	0,15	0,2
Unit dimensions mm			
height	250	250	250
depth	500	500	500
width	800	1200	1500

Due to continuous product development we reserve the right to technical changes without notice.



# Adjustable sneeze guard, over shelf with light



SHOWN OVER SHELF INSTALLED ONTO BASIC UNIT

TECHNICAL DATA						
Model	EPSG1120A	EPSG1130A	EPSG1140A	EPSG1220A	EPSG1230A	EPSG1240A
Distance of stand pipes centre – centre mm	733	1063	1383	733	1063	1383
Type of light	LED	LED	LED	halogen hot light	halogen hot light	halogen hot light
Electrical connection V, Hz	230 1N, 50/60	230 1N, 50/60	230 1N, 50/60	230 1N, 50/60	230 1N, 50/60	230 1N, 50/60
Connected load W	14	21	28	300	450	600
Enclosure class	IP20	IP20	IP20	IP20	IP20	IP20
Net weight kg	11	13	15	12	14	16
Unit volume m <sup>3</sup>	0,15	0,2	0,3	0,15	0,2	0,3
Unit dimensions mm						
height	350	350	350	350	350	350
depth	500	500	500	500	500	500
width	800	1200	1500	800	1200	1500

Due to continuous product development we reserve the right to technical changes without notice.

