

AUGUST AT WASTEWATER TREATMENT PLANTS

2022



AUGUST



AT line

The line of AT wastewater treatment plants has been updated and expanded.

New markings have been introduced to facilitate product identification.

The housing of the AT series wastewater treatment equipment is reinforced with four rigid edges around the perimeter.



AT- K line

AT-K line wastewater treatment plants are produced with a conical reduction of the cover.

The housing of the plant is reinforced around the perimeter with four horizontal and three vertical stiffening edges.

The height of the device is adjusted with an additional extension.



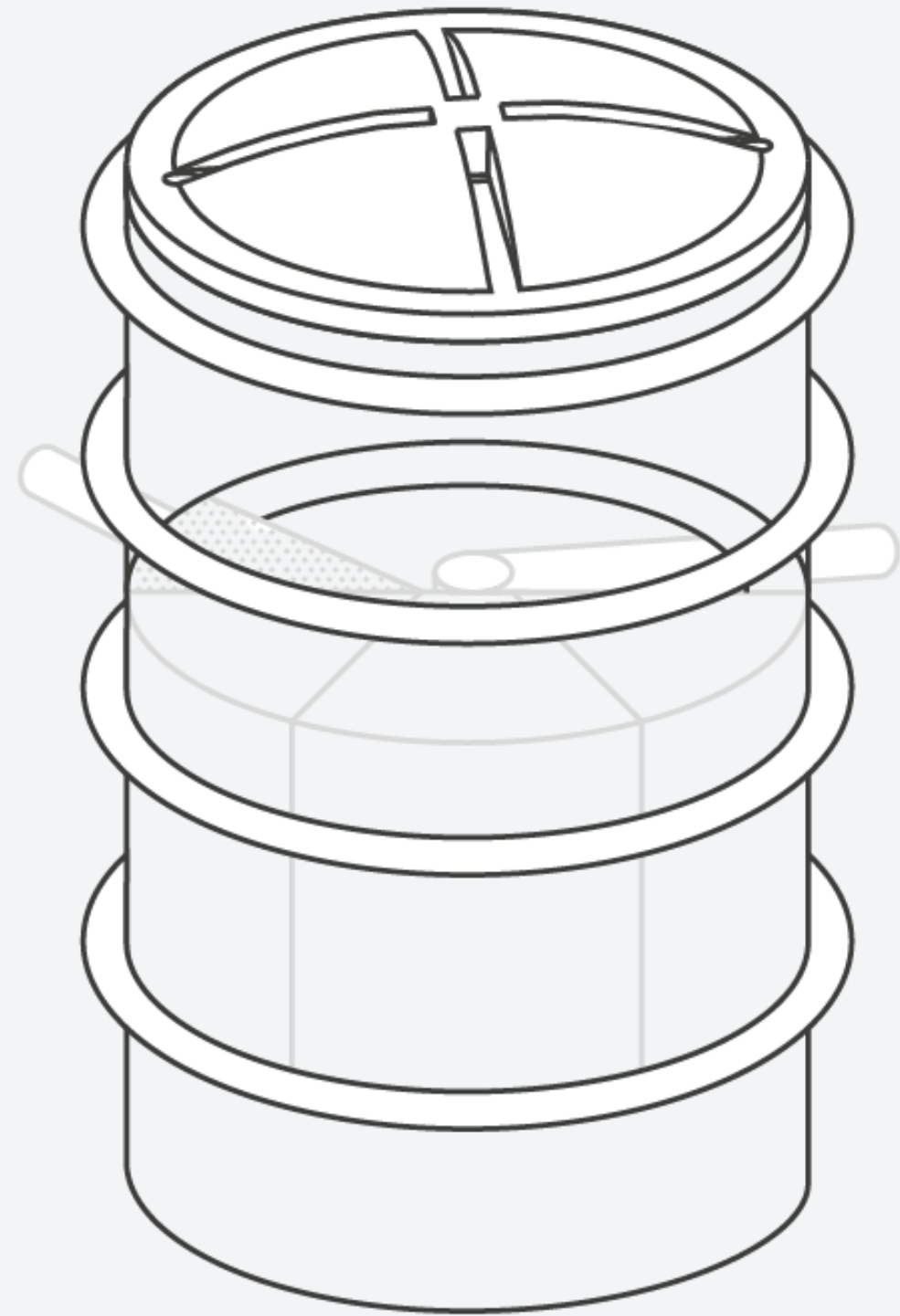
AT- T line

AT-T line wastewater treatment plants are produced with telescopic cover.

The housing of the devices is reinforced around the perimeter with four AT6-T/five AT8-T horizontal and three vertical stiffening edges.

The height of the plant is adjustable with a telescopic cover and an additional extension.

AT SPECIFICATIONS



AT6 wwtp height, mm	1800
---------------------	------

Inlet height (at the top of the pipe),mm	400
--	-----

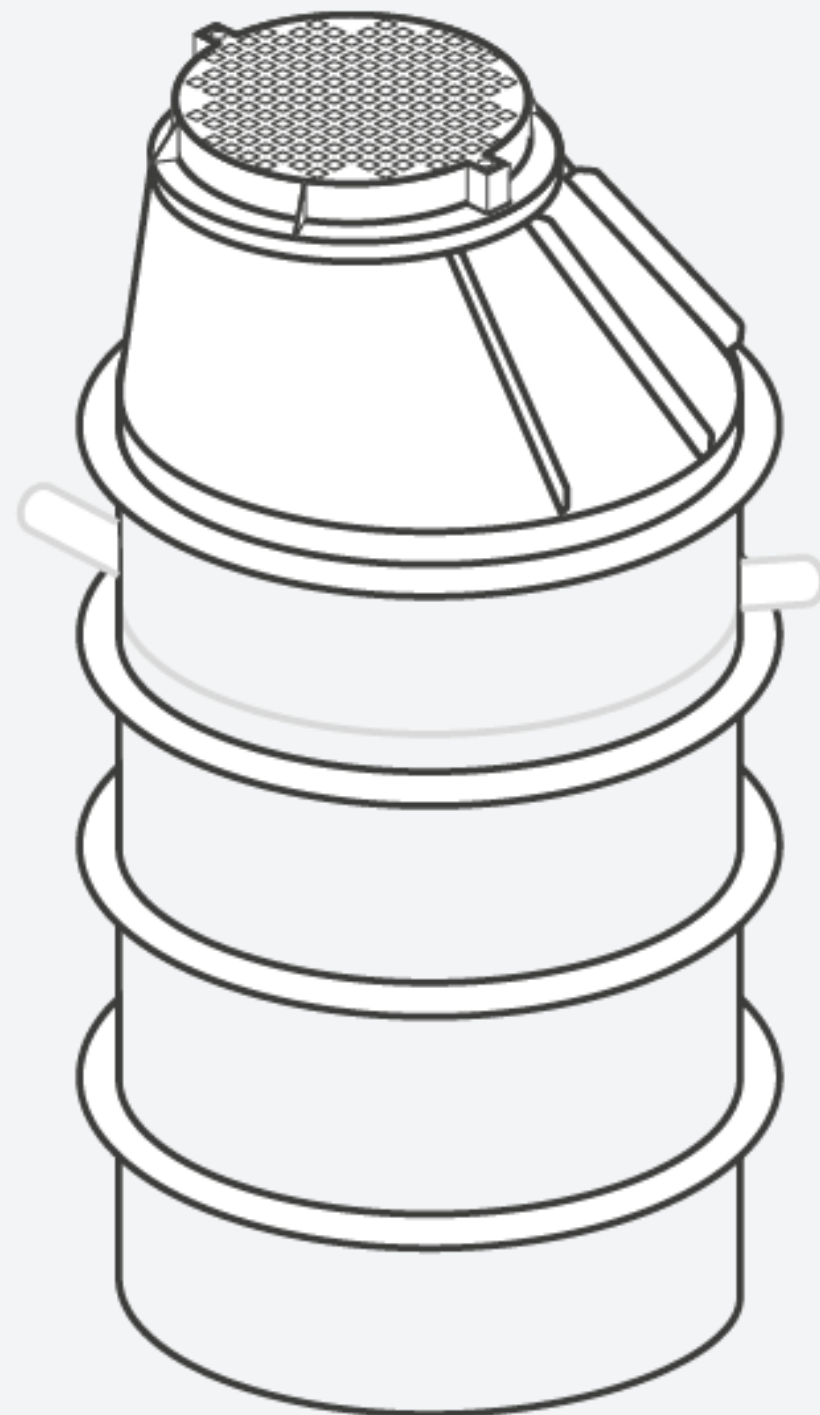
AT8 wwtp height, mm	2200
---------------------	------

Inlet height (at the top of the pipe),mm	400
--	-----

AT10 wwtp height, mm	2200
----------------------	------

Inlet height (at the top of the pipe),mm	400
--	-----

AT-K SPECIFICATIONS



AT6-K wwtp height, mm	2120
-----------------------	------

Inlet height (at the top of the pipe),mm	710
--	-----

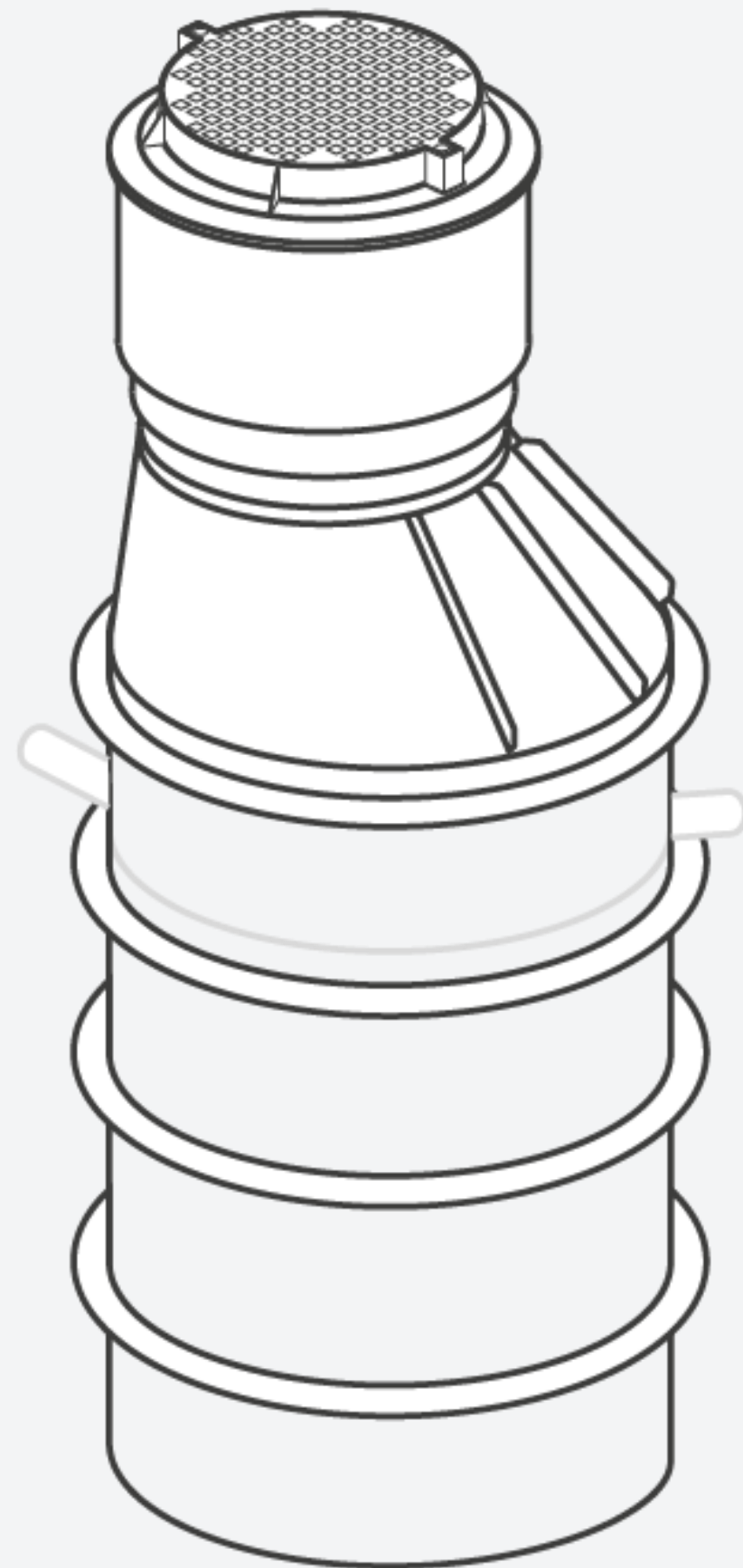
AT8-K wwtp height, mm	2520
-----------------------	------

Inlet height (at the top of the pipe),mm	710
--	-----

AT10-K wwtp height, mm	2690
------------------------	------

Inlet height (at the top of the pipe),mm	880
--	-----

AT-T SPECIFICATIONS



AT6-T wwtp height, mm	2410 - 2550
-----------------------	-------------

Inlet height (at the top of the pipe),mm	1000 - 1145
--	-------------

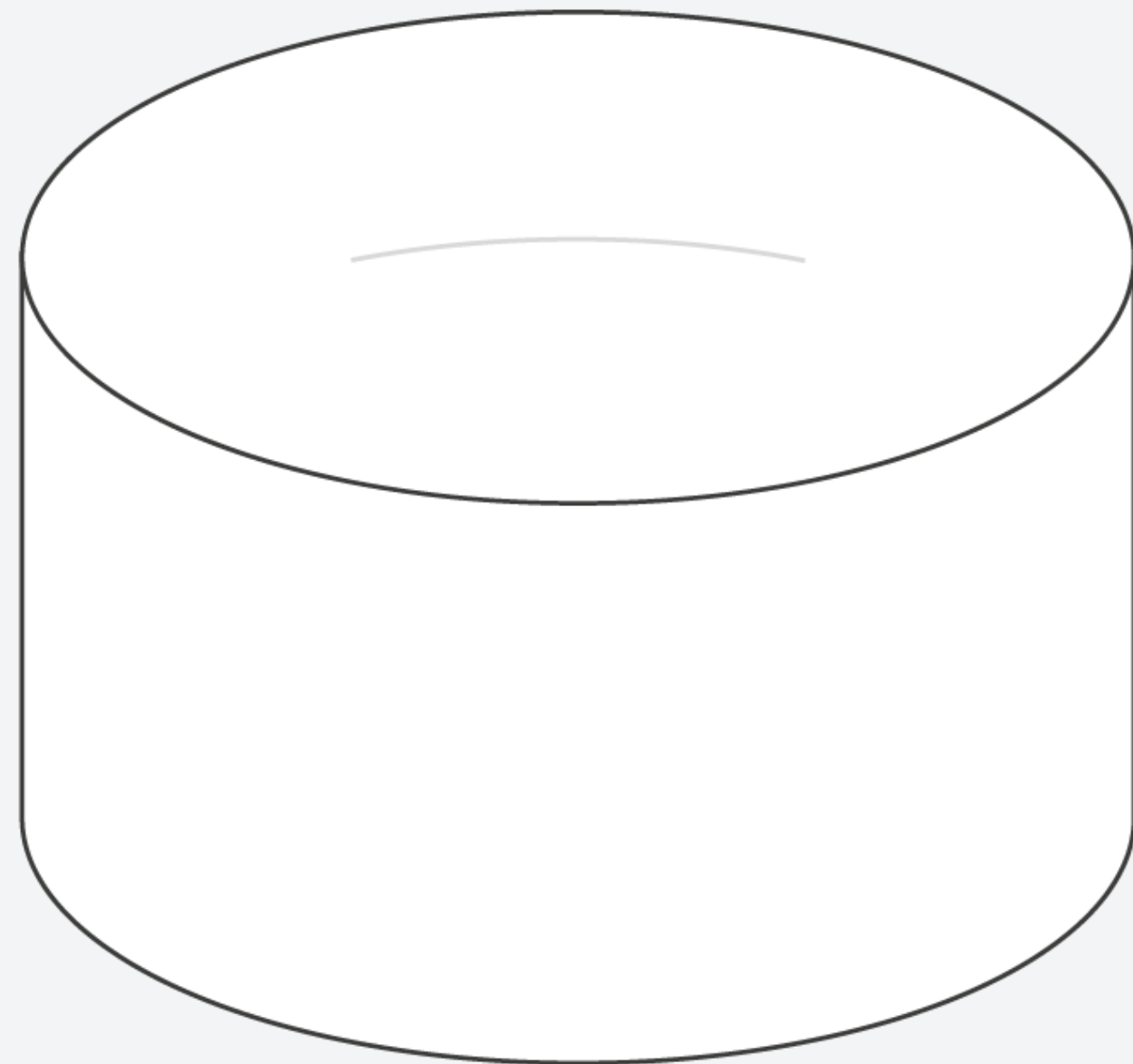
AT8-T wwtp height, mm	2810 - 3000
-----------------------	-------------

Inlet height (at the top of the pipe),mm	1000 - 1145
--	-------------

AT10-T wwtp height, mm	2980 - 3125
------------------------	-------------

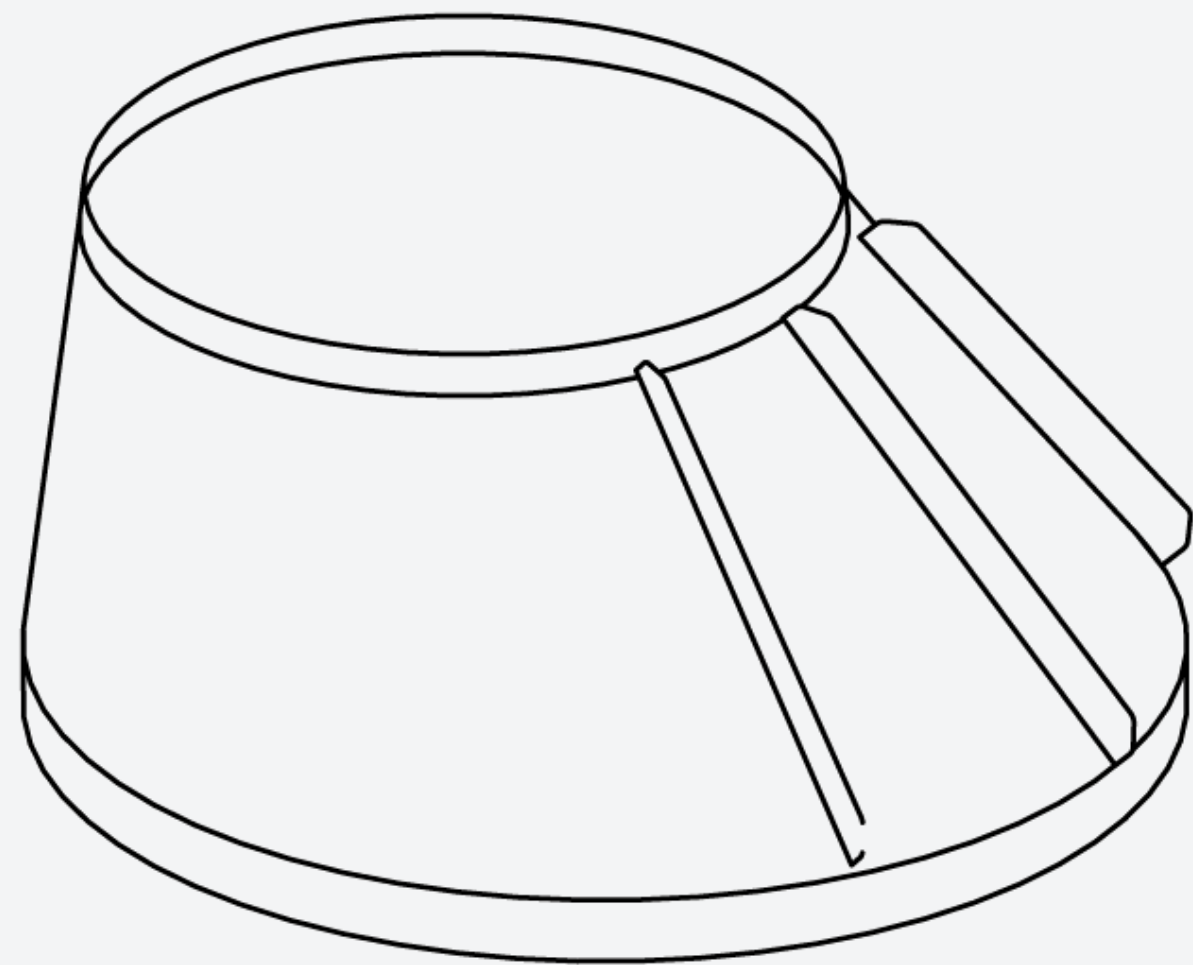
Inlet height (at the top of the pipe),mm	1170 - 1315
--	-------------

AT EXTENSION



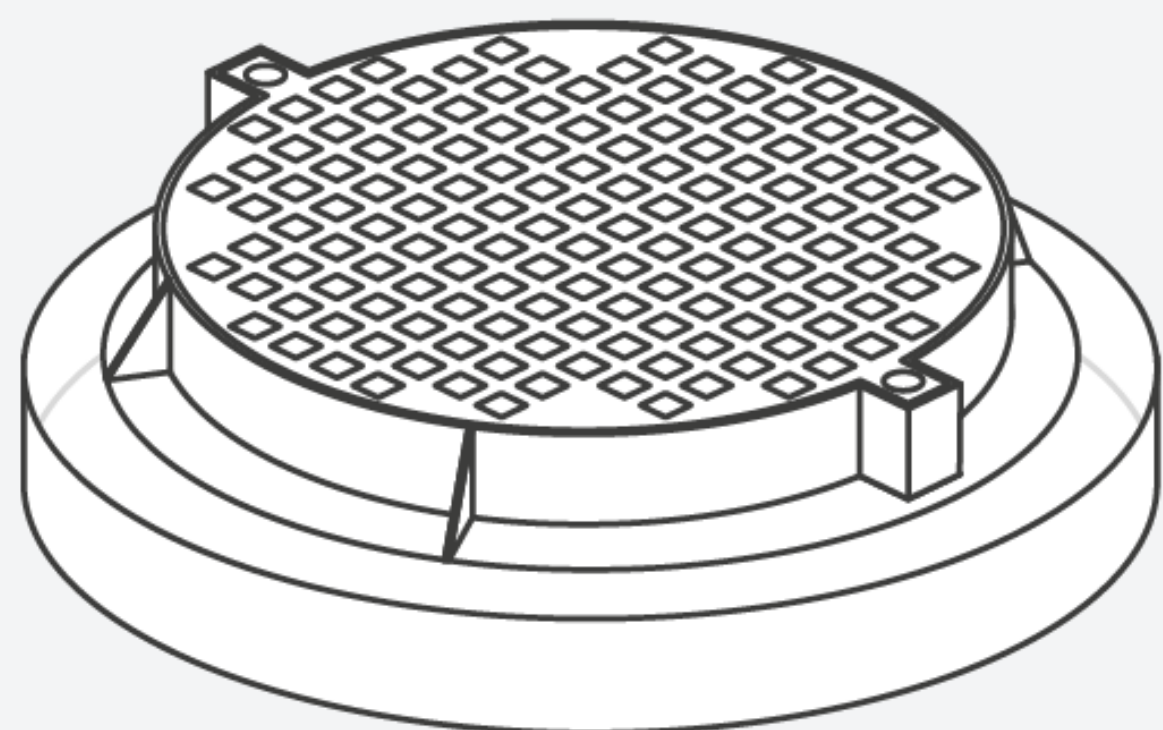
Minimum step, mm	100
Maximum height, mm	800

AT COVER REDUCTION



Attachment height, mm	610
Working height, mm	530
Cover diameter, mm	600

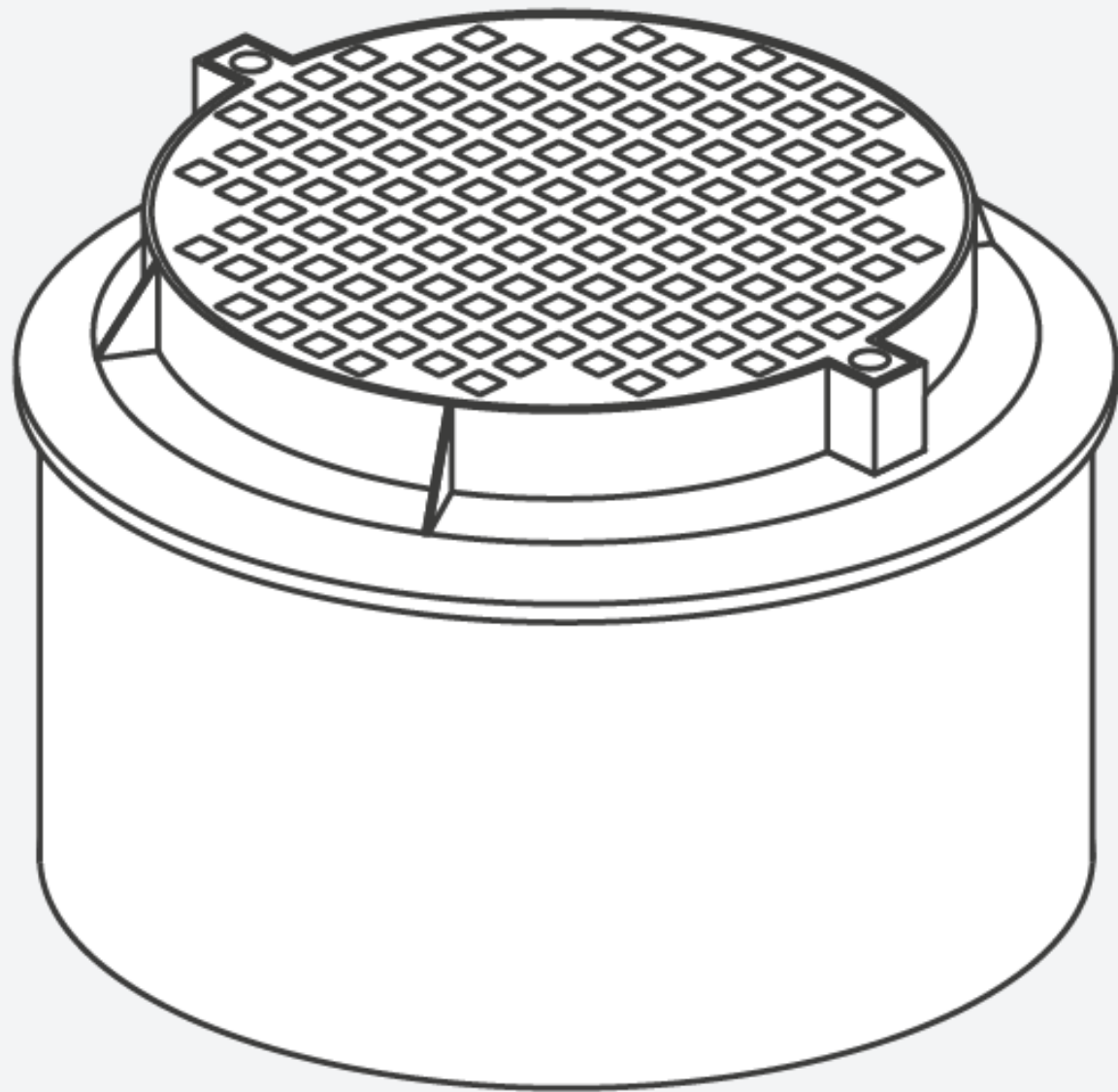
AT6-10-K COVER



Attachment height, mm	140
Working height, mm	90
Cover diameter, mm	600

AT6-10-T COVER

AT6-10-K/T
DANGTIS

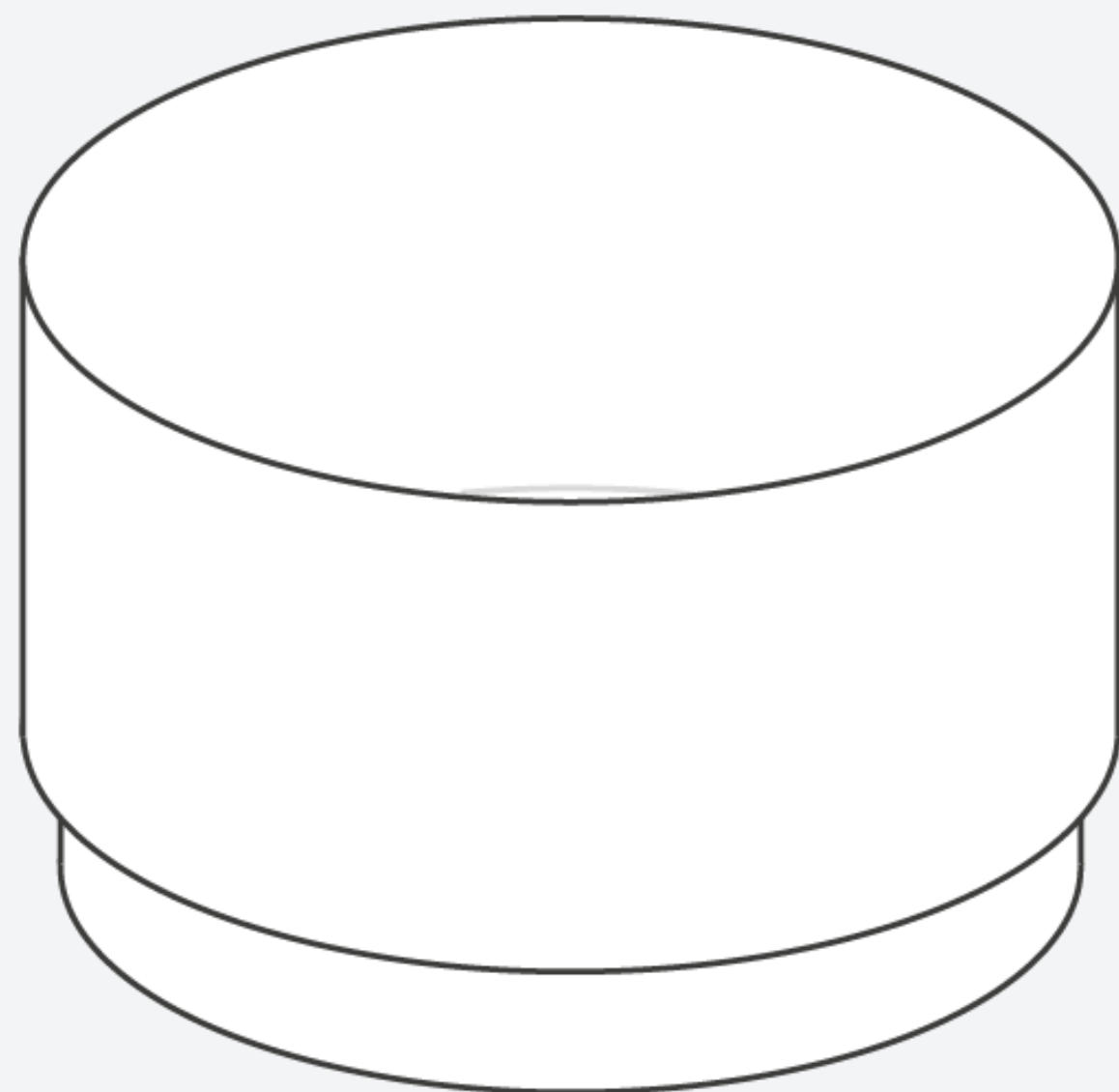


Attachment height, mm	460
-----------------------	-----

Working height, mm	360
--------------------	-----

Cover diameter, mm	600
--------------------	-----

AT6-10-K/T EXTENSION



Minimum step, mm	100
Maximum height, mm	800

AVAILABLE MODIFICATIONS

ACCESSORIES	AT	AT-K	AT-T
Extension d1350, mm	○		
Cover reduction	○	●	
AT-K/ AT-T Extensions d900, mm	○	○	○
Telscopic cover reduction	○		●
AT-K cover d600, mm		●	●
AT-T cover d600, mm		●	●
Lock set	○		
Accessory in	●		
Additional accessory	○		

Contacts

simas.pociunas@august.lt

+370 670 16652

Meiliakalnio k. 1, Jauniūnų sen. LT-19154 Širvintų r., Lithuania



AUGUST